

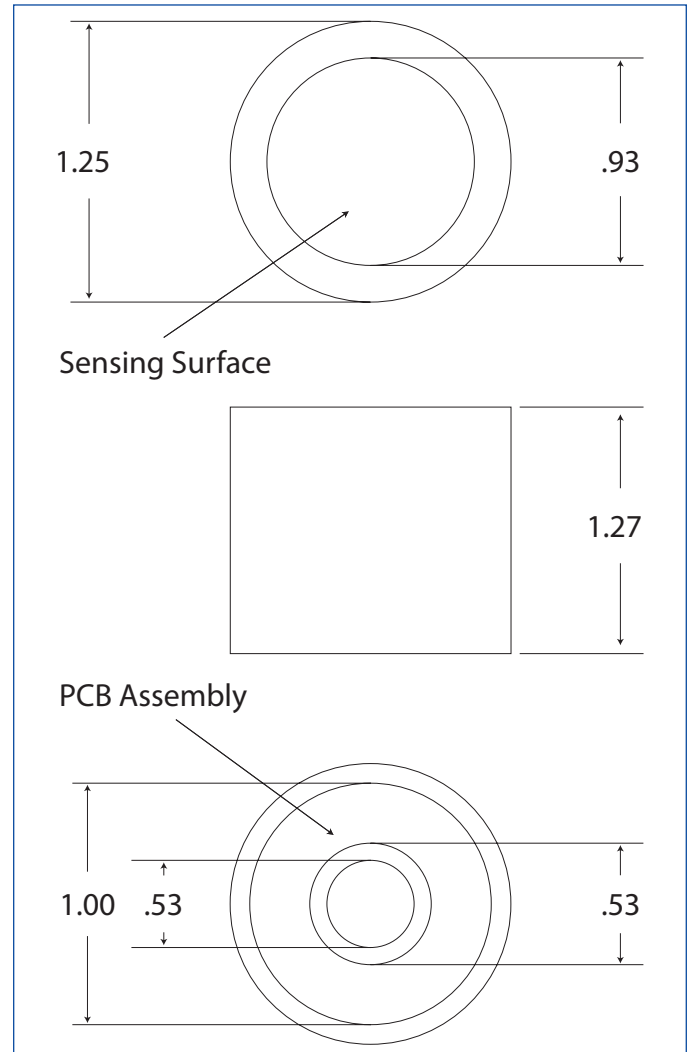
## TO2-IT PPM Oxygen Sensor



### Specifications:

|                                  |   |
|----------------------------------|---|
| Sensor Technology                | Micro Fuel Cell                             |
| Signal Output <sup>1</sup>       | 285 - 590 uA                                |
| Measuring Range                  | 0 - 10 PPM (Min)<br>0-10000PPM(Max)         |
| Response Time T90                | 13 Seconds                                  |
| Accuracy Full Scale <sup>2</sup> | ± 1% of Signal                              |
| Repeatability F.S.               | ± 0.5%                                      |
| Temp Coefficient                 | 2.54 % / °C                                 |
| Operating Temp                   | 0 to 50 °C                                  |
| Storage Temp                     | 0 to 45 °C                                  |
| Recommended Flow                 | 0.5 - 2 SCFH                                |
| Humidity                         | 0 - 100% RH<br>(Non-Condensing)             |
| Expected Life <sup>3</sup>       | 17 - 25 Months                              |
| Storage                          | 6 Months                                    |
| Warranty <sup>4</sup>            | 9 Months                                    |
| PCB Connection                   | Center Foil Negative<br>Outer Foil Positive |

1. Signal Output is measured in air at 25 °C, Sea Level.
2. Accuracy Full Scale is calculated with constant pressure and temperature & proper calibration (90% O<sub>2</sub> Value on Full Scale Range). Drastic Temperature change can result in a maximum error of ± 10%.
3. Expected life is calculated when O<sub>2</sub> < 1000 ppm @ 25 °C, Sea Level.
4. Southland Sensing Warrant these sensors for the period noted above to be free from defects in materials and workmanship. Southland Sensing will not be held liable for sensors damaged due to customer neglect.



### Direct Replacement Guide

Teledyne Analytical: Insta Trace

深圳市杰晟兴电子有限公司 JM Components Limited

地址: 深圳市福田区中航路7号鼎诚国际大厦南座2007室

手机: 13662266995 马少良 电话: 0755-83951311

官网: cn-sensor.com

邮编: 518031

传真: 0755-83952401

电邮: jackson@jmcomponents.com