



# MODEL 1210

## PERFORMANCE SPECIFICATIONS

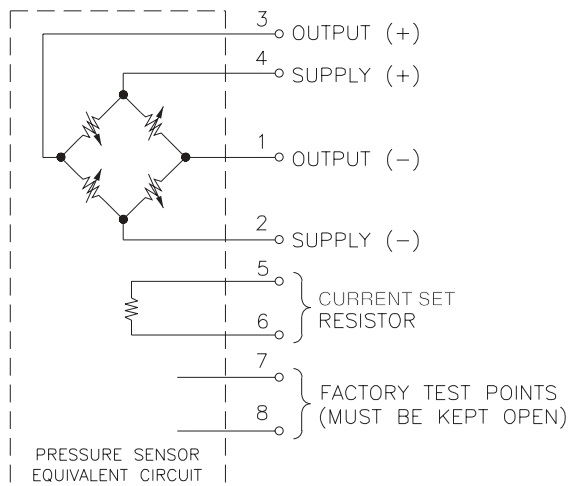
Supply Current: 1.5mA  
Ambient Temperature: 25°C (Unless otherwise specified)

PARAMETERS	MIN	TYP	MAX	UNITS	NOTES
Full Scale Output Span	75	100	150	mV	1
Zero Pressure Output			2	±mV	2
Pressure Non-linearity		0.05	0.1	±% Span	3
Pressure Hysteresis		0.01	0.1	±% Span	
Input & Output Resistance	2500	4400	6000	Ω	
Temperature Error - Span		0.3	0.5	±% Span	2, 4
Temperature Error - Zero		0.1	0.5	±% Span	1, 2, 4
Thermal Hysteresis - Zero		0.1		±% Span	
Supply Current		1.5	2.0	mA	5
Response Time		1.0		msec	6
Output Noise		1.0		µV p-p	7
Output Load Resistance	2			MΩ	8
Insulation Resistance (50 VDC)	50			MΩ	
Pressure Overload			3X	Rated	9
Operating Temperature	-40°C to +125°C				
Storage Temperature	-50°C to +150°C				
Media	Non-corrosive Gases Compatible with Wetted Materials				10
Weight	3 grams				

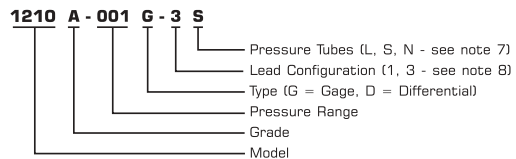
### Notes

- For 2 psi output span is 30-60 mV and TC zero temperature error is ±1%.
- Compensation resistors are an integral part of the sensor package; no additional external resistors are required. Pins 7 and 8 must be kept open.
- Best Fit Straight Line.
- Temperature range: 0-50°C in reference to 25°C.
- Guarantees input/output ratiometricity for span.
- For a zero-to-full scale pressure step change.
- 10 Hz to 1kHz.
- Prevents increase of TC-Span due to output loading.
- 3X or 200 psi maximum, whichever is less. 20 psi for 2 psi and 5 psi versions.
- Wetted materials are glass, ceramic, silicon, RTV, nickel, gold, and aluminum.
- Soldering of lead pins: 250°C for 5 seconds, maximum.
- Tube length: L=470 ± 5 mil, S=300 ± 3 mil, N=no tube.
- Lead pins can either be in the same or the opposite direction as the pressure tube. See Dimensions drawing for lead configurations.

## CONNECTIONS



## ORDERING INFORMATION



## APPLICATION SCHEMATIC

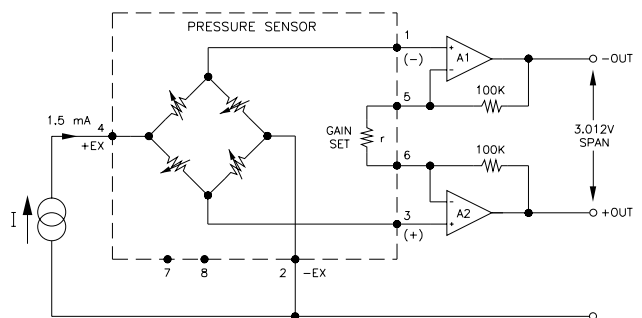


FIGURE 1: GAIN SET CIRCUIT

## 深圳市杰晟兴电子有限公司 JM Components Limited

地址：深圳市福田区中航路7号鼎诚国际大厦南座2007室

手机：13662266995 马少良 电话：0755-83951311

官网：cn-sensor.com

邮编：518031

传真：0755-83952401

电邮：jackson@jmcomponents.com