

Rotary Position Sensor

RPS Series

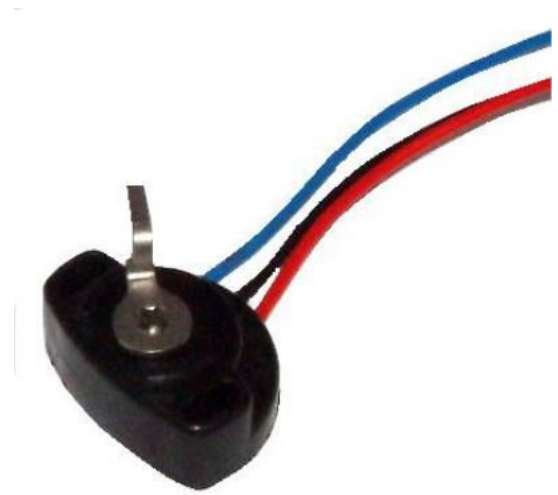
This series of sensors are conductive polymer position sensors specifically designed for high-demand applications. The products feature superior performance, excellent cost-effectiveness, extended service life, and environmentally friendly cabin design. Customizable drive rods, suspension leads, and connector plugs can be fully tailored to customer specifications.

Characteristic

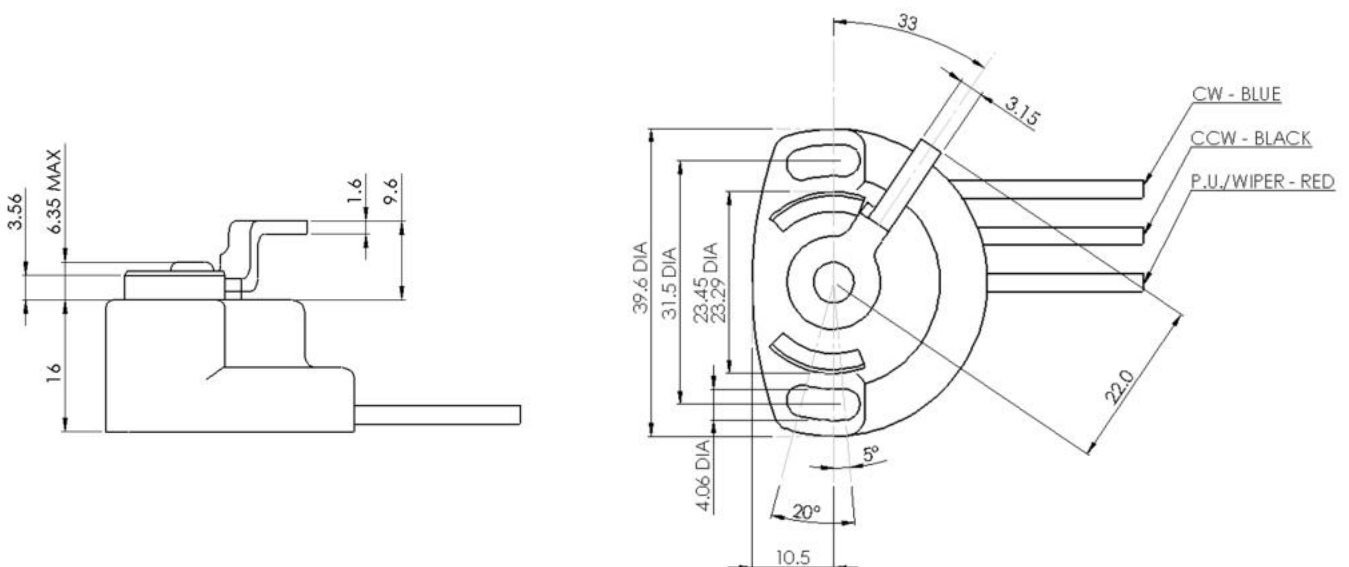
- Radial installation
- groove of horizontal operation
- return spring
- The conductor glass drawn from the element can be filled with nylon shell

Merit

- Reliable and high strength
- Easy to use long service life
- easy to install recognized technology
- easy to customize



graphic



Apply

- transport
- voyage
- agriculture
- machinery
- machine tool
- automobile
- weld
- remote manipulation
- electric chair

Electrical Parameters

Nominal resistance hysteresis	4.15k Ω
Effective rotation Angle	<0.3%
Total mechanical rotation Angle broom protection resistance	90° +/- 3° 135° max
Output signal temperature coefficient	25% of value or 1,000 Ω min
Output smoothness independent linearity	<25ppm/0°C 0.5% +/- 2%
operating temperature operating torque	-40°C~+130°C
Terminal stop torque	10mNm (min) /85 mNm (max) 800 mNm max
rotational life	50 million cycles

Ordering Guide

P / N	resistance
RPS-004	4000 Ω

深圳市杰晟兴电子有限公司 JM Components Limited

地址：深圳市福田区中航路7号鼎诚国际大厦南座2007室
手机：13662266995 马少良 电话：0755-83951311
官网：cn-sensor.com

邮编：518031
传真：0755-83952401
电邮：jackson@jmcomponents.com