



PRODUCT DATASHEET

HERO Application



Application Products

- FOT-HERO Sensor
- FPI-HERO module
- EVOLUTION chassis

Key Features

- Absolute measurement
- Sensor signal diagnostic
- Compatible with FOT-HERO
- Limited effect due to vibration
- Sensor maintains calibration with any extension length and connections
- Temperature-compensated modules

Specifications

| | FOT-HERO |
|------------------------------------------------|-----------------------------------------|
| Temperature measuring range | 0°C to 120°C |
| Minimum current detected on MK1 squib | 6 mA |
| Resolution ^{1,2} | 1 mA |
| Response time ^{3,4} | <1 millisecond |
| Sampling rate | Up to 250 Hz per module |
| Power consumption | 5 Watts |
| Analog output (Optional) | 0 to 5V or 4-20 mA / 16 bits resolution |
| Operating temperature | 10°C to 50°C |
| Storage temperature | -30°C to 80°C |
| Connector | SCA (ST optional) |
| Fiber core size | 100/125µm (62.5/125µm optional) |
| Number of channel | 1 |
| Communication / Evolution chassis | USB |
| Communication/OEM | RS-232 / RS-485 |
| LED sensor signal and communication diagnostic | Yes |

1. Corresponding accuracy in milliamps is relative to the EED under test and has to be determined by an experimental test.

2. Based on MK1 squib, performance is related to system averaging.

3. Based on MK1 squib, 60 milliseconds, defined as the ratio of energy and power which produces the same peak output.

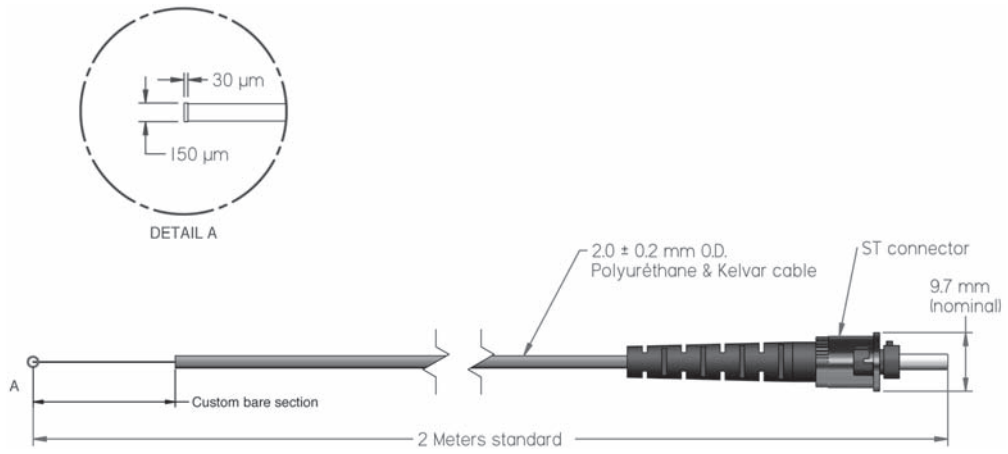
4. Based on MK1 squib, 275 milliseconds, defined as the rise time (10% to 90%) of the output.

Sensor

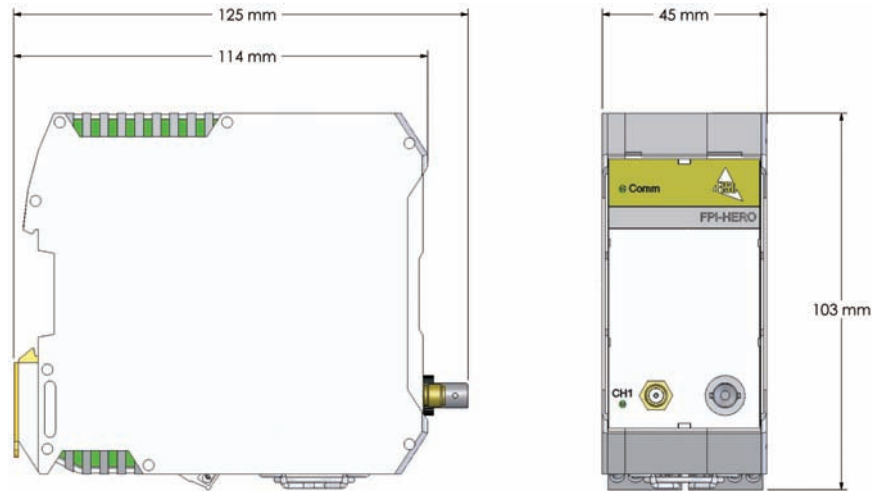
FPI-HERO Module

PRELIMINARY

FOT-HERO Sensor Dimensions



FPI-HERO Module Dimensions



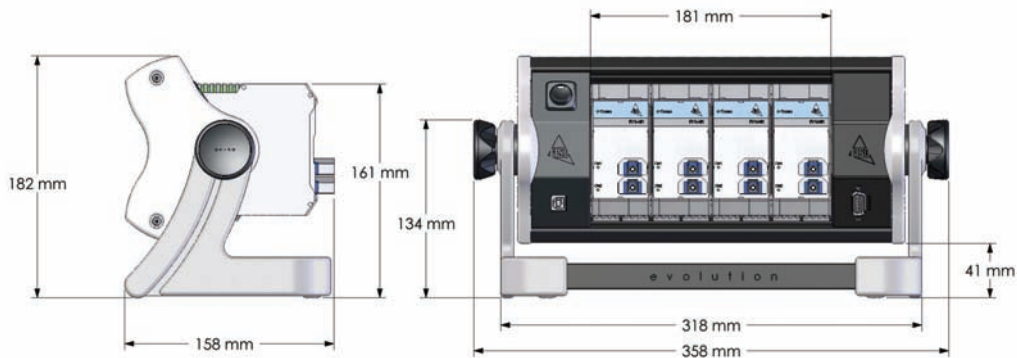
Specifications

Chassis

| | EVOLUTION EVO-SD-2 | EVOLUTION EVO-SD-4 | EVOLUTION EVO-HMI-4 (Coming Soon) | EVOLUTION EVO-EXP-6 Expansion Unit | EVOLUTION EVO-RM-7 Rackmount |
|---------------------|-----------------------|-------------------------|----------------------------------------------|-----------------------------------------------|------------------------------------|
| Display | — | — | LCD QVGA (320*240) Touchscreen | — | — |
| Communication | USB | USB Expansion RS-485 | USB Ethernet 10/100Mb Expansion RS-485 | RS-485 | USB |
| Data logging memory | Via computer | Via computer | Internal, SD, USB slave | Main control unit EVO-SD-4 or EVO-HMI-4 | Via computer |
| Number of modules | Up to 2 | Up to 4 | Up to 4 | Up to 6 | Up to 7 |
| Expansion chassis | — | EVO-EXP-6 | EVO-EXP-6 | EVO-EXP-6 | — |
| Power supply | 24VDC 70W | 24VDC 70W | 24VDC 70W | 24VDC 70W | 24VDC 70W |

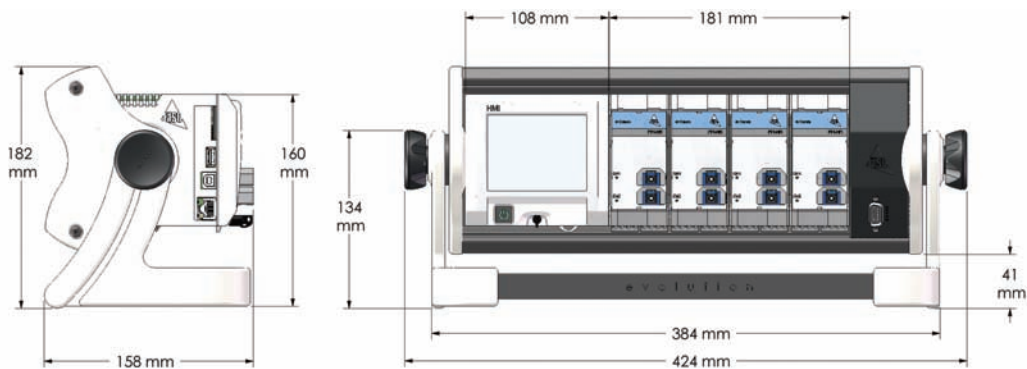
Evolution Chassis Dimensions

EVO-SD-4 Model



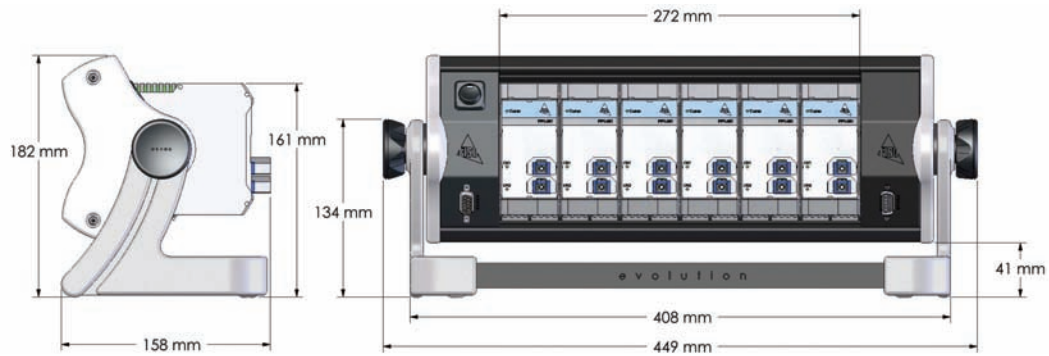
EVO-HMI-4 Model

COMING SOON

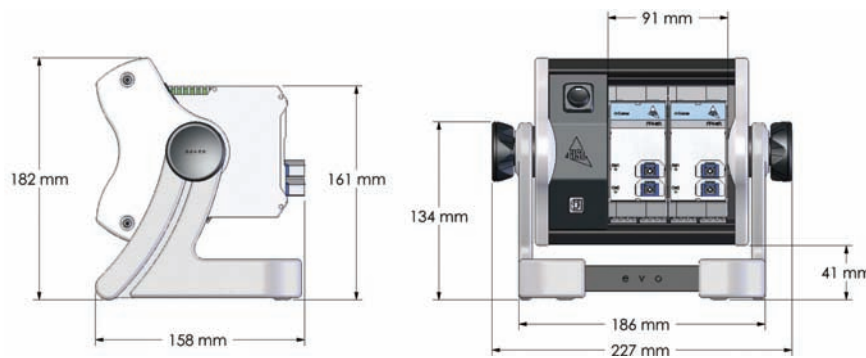


Evolution Chassis Dimensions

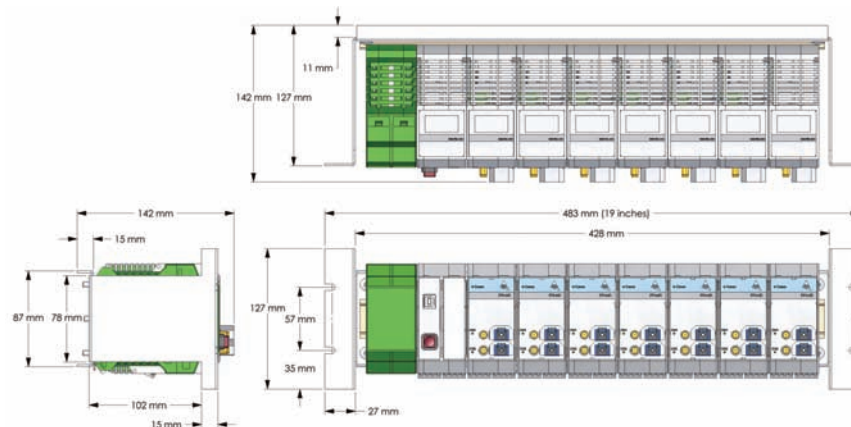
EVO-EXP-6 Model



EVO-SD-2 Model



EVO-RM-7 Model



深圳市杰晟兴电子有限公司 JM Components Limited

地址：深圳市福田区中航路7号鼎诚国际大厦南座2007室
 手机：13662266995 马少良 电话：0755-83951311
 官网：cn-sensor.com

邮编：518031
 传真：0755-83952401
 电邮：jackson@jmcomponents.com