

Installation Instructions for Standard and Extended Temperature Industrial Series Optical Liquid Level Sensors

GENERAL DESCRIPTION

The LLC Industrial Series liquid level sensor provides single point liquid detection via a TTL compatible output.

This sensor range was designed to directly switch incandescent indicators, sounders, relays or applications which require higher output power.

An infra-red LED and phototransistor accurately positioned at the base of the sensing tip ensure good optical coupling between the two when the sensor is in air. When the sensing tip is immersed in liquid, the infra-red light escapes from the cone causing a change in the amount of light detected at the phototransistor which makes the output change state. Various electrical outputs are available to suit different applications.

ELECTRICAL SPECIFICATIONS

Supply Voltage (Vs)	+4.5 Vdc to +15.4Vdc or +8Vdc to +30Vdc	Output Voltage (Vout) Vs = 4.5 - 15.4Vdc Iout = 1A	Output High Vout = Vs - 1.5V Max Output Low Vout = 0V + 0.5V Max
Supply Current (Is)	Max 2.5mA (Vs = 15.4Vdc) or Max 7.5mA (Vs = 30Vdc)	Output Voltage (Vout) Vs = 8 - 30Vdc Iout = 1A	Output High Vout = Vs - 1.8V Max Output Low Vout = 0V + 0.7V Max
Output Type	An "L" in the part number after D3 indicates that the sensor output will be low in air. Otherwise the output will be high in air.	Output Voltage (Vout) Vs = 4.5 - 15.4Vdc and Vs = 8 - 30Vdc Iout = 0mA	Output High Vout = Vs - 0.3V Max Output Low Vout = 0V + 0.1V Max
Output Sink and Source Current (Iout)	1A		
Operating Temperatures	-25°C to +80°C (Standard) -40°C to +125°C (Extended)		
Storage Temperatures	-30°C to +85°C (Standard) -40°C to +125°C (Extended)		

CLEANING

Proper fluids should be selected based on type of contamination to be removed. SST Sensing recommends freon and alcohol based solvents. DO NOT use chlorinated solvents such as trichloroethane as these are likely to attack the sensor material.

LIQUID MEDIA COMPATIBILITY

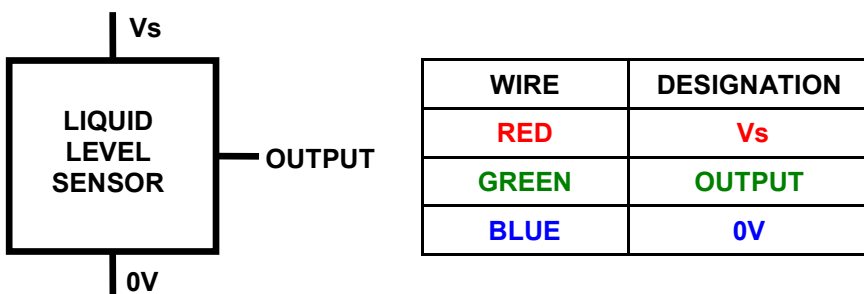
Before use check that the fluid in which you wish to use these devices is compatible with either polysulphone or trogamid.

MOUNTING AND HOUSING TYPES

Housing Series	200 and 210 Series	600 and 610 Series	700 and 710 Series
Thread	M12x1x8g with Hex Nut*	½" SAE with O-Ring*	¼" NPT
Tightening Torque	1.5 N m/13.26 in lb max.		
Pressure (when correctly sealed)	7 bar max		
Mounting Hole	Ø12mm	Ø ½ Inch	¼" NPT Threaded
Housing Material	Polysulphone or Trogamid		
Sensor Termination	20AWG, 250mm PTFE Wires, 8mm Tinned		

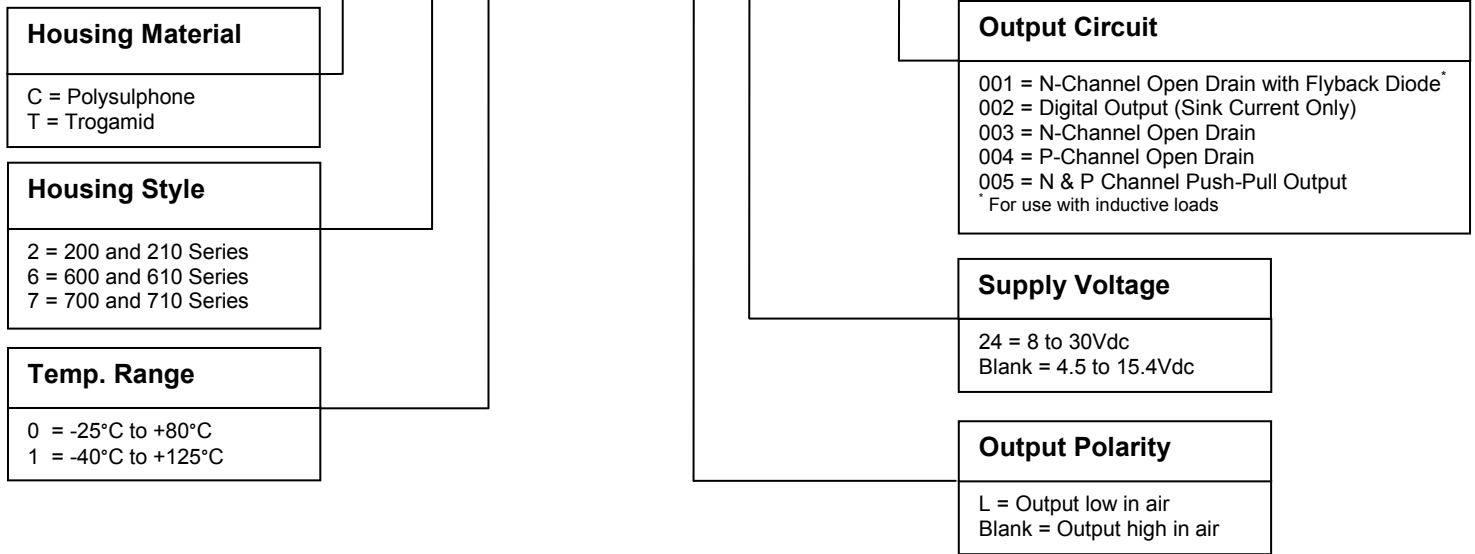
* Hex nut and o-ring sold separately, please contact us for details. NPT version can be sealed with PTFE tape.

Sensor Output Wiring



PART NUMBERING SYSTEM

LLX XX0D3XX - ITEM

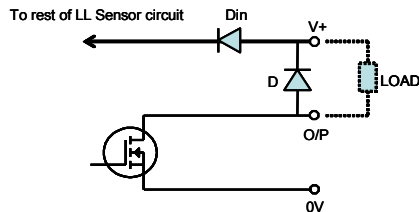


OUTPUT TYPES

In order to suit any application, these sensors have been designed with various output circuit configurations. They are identified by the a 3-digit code at the end of part number and are as follows:

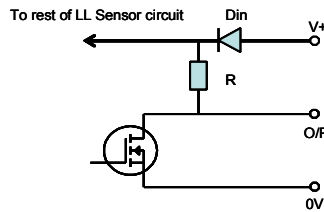
ITEM = -001

N-Channel Open Drain with Flyback protection diode for use with inductive loads



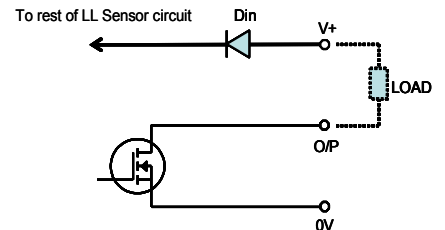
ITEM = -002

Digital output with internal pull-up resistor - Intended for connection to digital interface



ITEM = -003

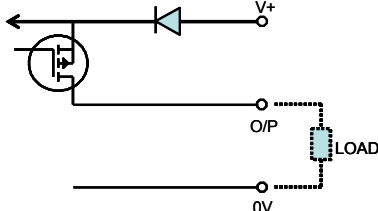
N-Channel Open Drain



ITEM = -004

P-Channel Open Drain

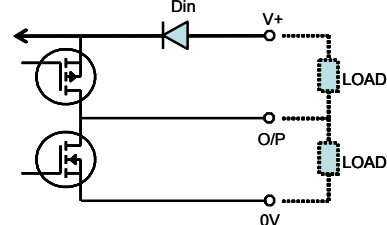
To rest of LL Sensor circuit



ITEM = -005

N & P-Channel Open Drain Push-Pull Output

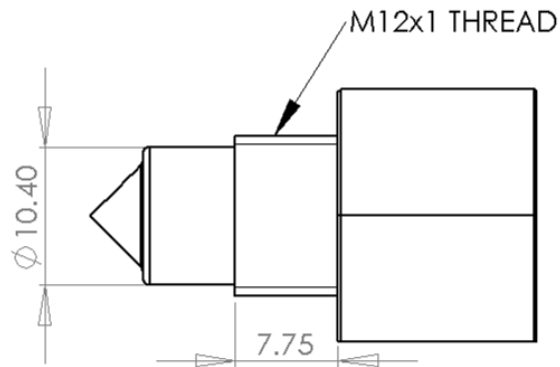
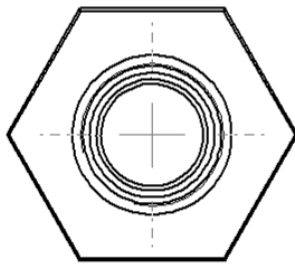
To rest of LL Sensor circuit



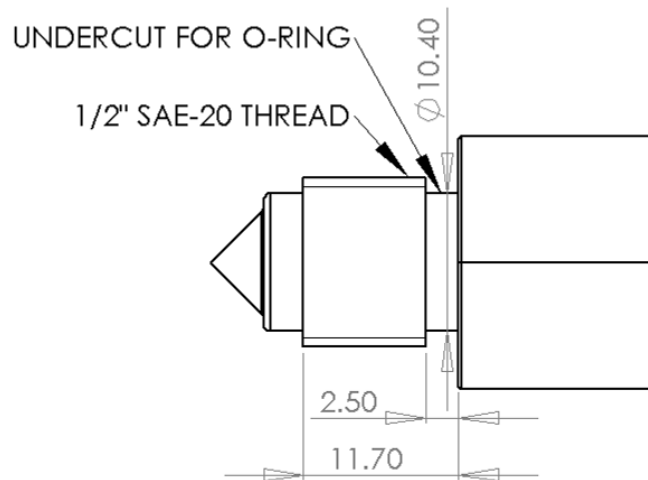
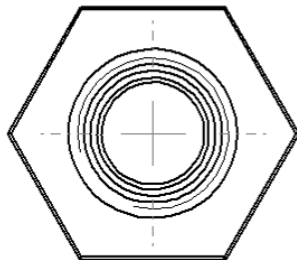
PRODUCT DIMENSIONS

(all dimensions in mm)

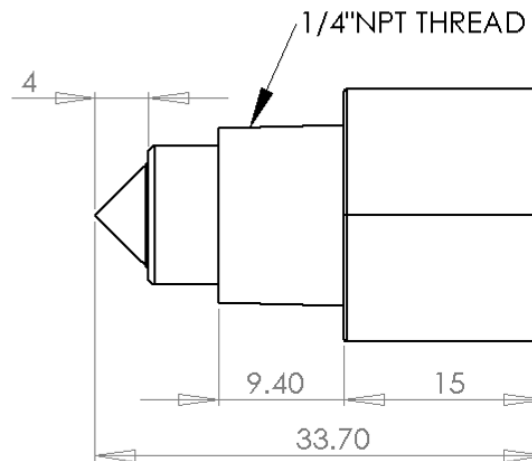
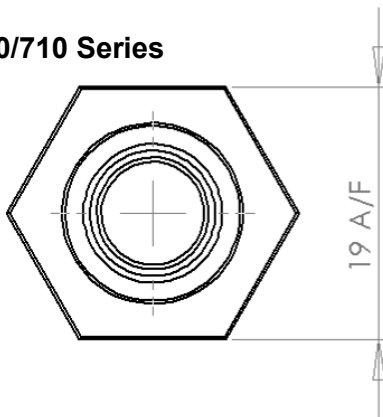
LLC200/210 Series



LLC600/610 Series



LLC700/710 Series



WARNING

Personal Injury

DO NOT USE these products as safety or Emergency Stop devices or in any other application where failure of the product could result in personal injury.

Failure to comply with these instructions could result in death or serious injury.

CAUTION

Do not exceed maximum ratings.

Although the sensor is protected against supply reversal, it is not recommended.

Do not overtighten screw-in type.

Do not use chlorinated solvents.

Do not mount with dome pointing downwards.

Failure to comply with these instructions may result in product damage.

It is the customer's responsibility to ensure that this product is suitable for use in their application. For technical assistance or advice, please email us

深圳市杰晟兴电子有限公司 JM Components Limited

地址：深圳市福田区中航路7号鼎诚国际大厦南座2007室

手机：13662266995 马少良 电话：0755-83951311

官网：cn-sensor.com

邮编：518031

传真：0755-83952401

电邮：jackson@jmcomponents.com