

# PRODUCT DATASHEET

## FOP-M260 Medical Pressure Solution



### Application Products

- FOP-M260 sensor
- FPI-HR and FPI-HS modules
- EVOLUTION chassis

### Key Features

- High accuracy
- EM/RF/MW interference complete immunity
- Miniature and rugged sensor for in situ pressure measurements

### Specifications

	FPI-HR	FPI-HS
Pressure range <sup>1</sup>	-300 mmHg to 300 mmHg	-300 mmHg to 300 mmHg
Sensitivity thermal effect <sup>2</sup>	<0.04% / °C	<0.04% / °C
Zero thermal effect <sup>2</sup>	0.2 mmHg / °C	0.2 mmHg / °C
Proof pressure	>600 mmHg	>600 mmHg
Accuracy	2 mmHg	2 mmHg or better
Resolution	<0.3 mmHg (40 Pa)	<0.1 mmHg (13 Pa)
Sampling rate	Up to 250 Hz per module	Up to 15 kHz per module
Power consumption	5 Watts	5 Watts
Analog output (Optional)	0 to 5V or 4-20 mA / 16 bits resolution	0 to 5V / 16 bits resolution
Operating temperature	10°C to 50°C	10°C to 50°C
Storage temperature	-30°C to 80°C	-30°C to 80°C
Connector	SCAI <sup>3</sup> , SCA	SCAI <sup>3</sup> , SCA
Fiber core size	62.5/125µm	62.5/125µm
Number of channel(s)	1 or 2	1
Communication / Evolution chassis	USB via EVO chassis / TS 35 DIN RAIL	USB via EVO chassis / TS 35 DIN RAIL
Communication/OEM	RS-232 / RS-485	RS-232 / RS-485
LED sensor signal and communication diagnostic	Yes	Yes

1. Relative to atmospheric pressure

2. Determined between 10°C and 70°C

3. SCAI is an SCA connector with smart chip communicating calibration data to signal conditioner module

FOP-M260

FPI modules

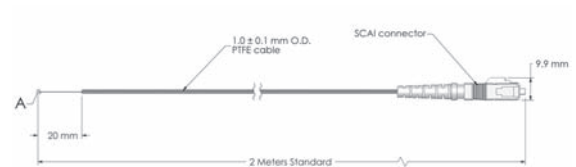
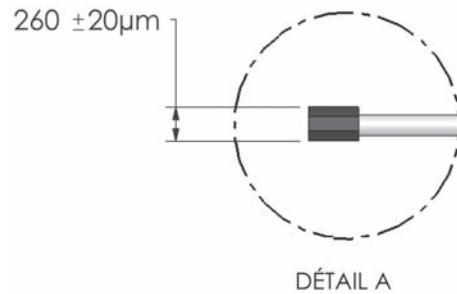
PRELIMINARY

## Applications

- **Laboratory**
  - Preclinical studies
  - Animal testing
  - Pharmacology
- **Medical**
  - Cardiology
  - Neurology
  - Anaesthesiology
  - Pneumonology
  - Gastroenterology
  - Urology
  - Gynecology
  - Ophthalmology
  - Electrosurgery
  - Thermal therapy
  - Preclinical studies
  - MRI and other RFI environments
- **OEM products**
  - Custom design for embedment in diagnostics or therapeutic medical devices
  - High-volume / low-cost available sensors
  - Proven high-volume automated production facilities and practices complying with recognized medical authorities
  - Computerized product testing in assembly line

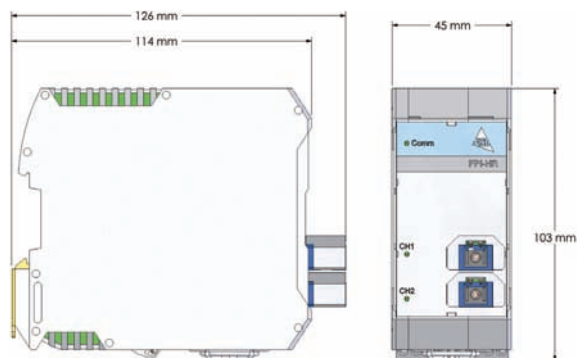
## FOP-M Dimensions

### FOP-M260-BA Model

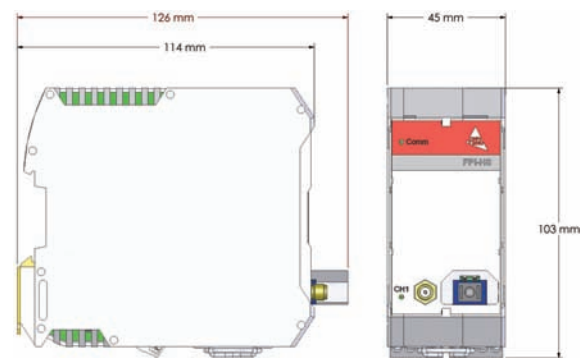


## FPI Modules Dimensions

### FPI-HR



### FPI-HS

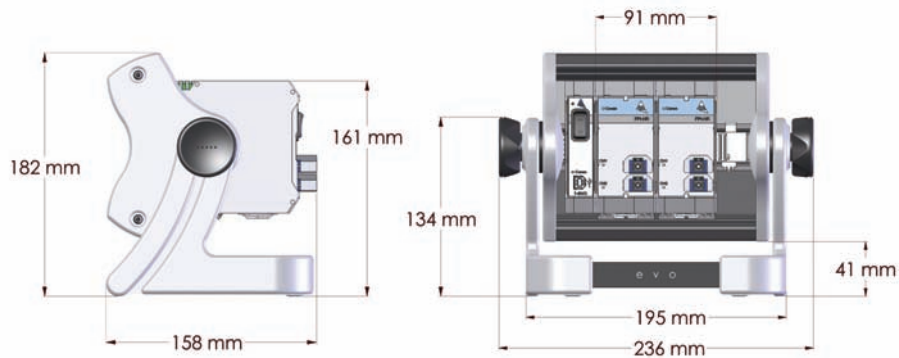


## Specifications

	EVOLUTION EVO-SD-2	EVOLUTION EVO-SD-5	EVOLUTION EVO-HMI-3 (Coming Soon)	EVOLUTION EVO-RM-8 Rackmount
Display	—	—	LCD WVGA (800 × 480) Touchscreen	—
Communication	USB Expansion RS-485	USB Expansion RS-485	USB Ethernet Gbits Expansion RS-485	USB Expansion RS-485
Data logging memory	Via computer	Via computer	Internal, SD, USB slave	Via computer
Number of modules	Up to 2	Up to 5	Up to 3	Up to 8
Expansion chassis	EVO-SD-5	EVO-SD-5	EVO-SD-5	EVO-RM-8
Power supply	24VDC 70W	24VDC 70W	24VDC 70W	24VDC 70W

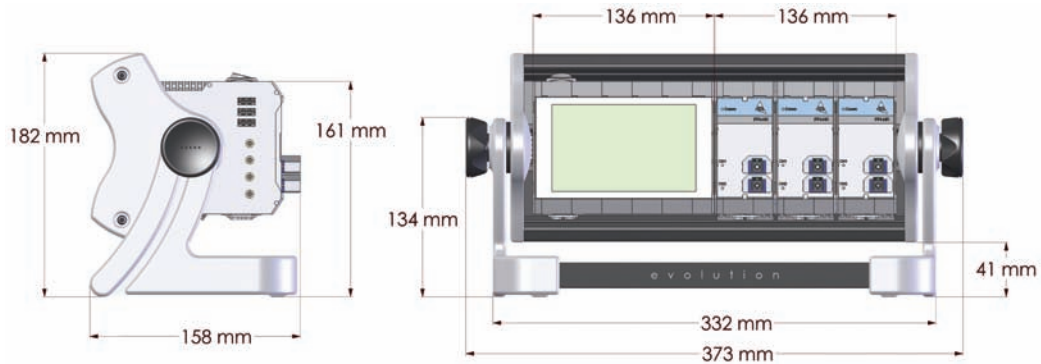
## Evolution Chassis Dimensions

## EVO-SD-2 Model



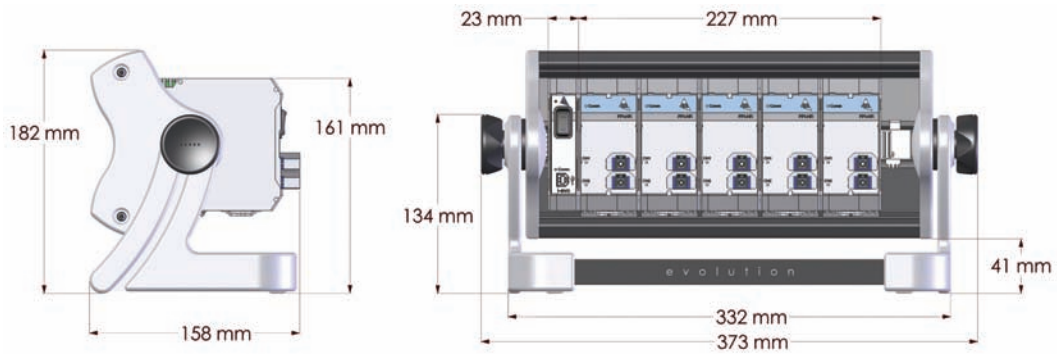
## EVO-HMI-3 Model

COMING SOON



## Evolution Chassis Dimensions

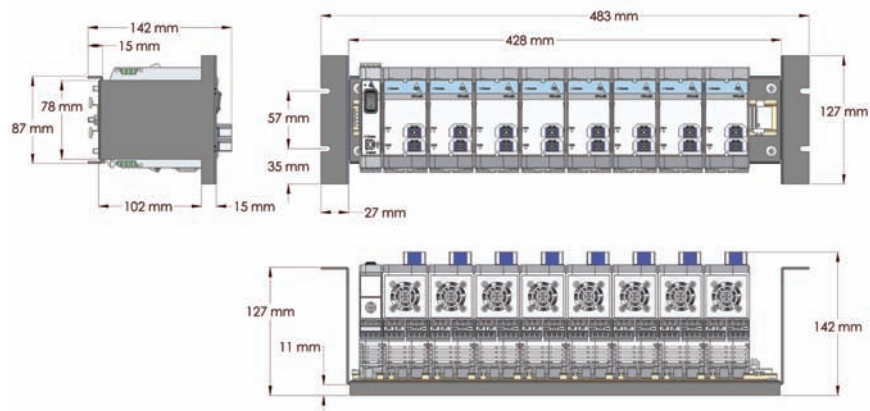
### EVO-SD-5 Model



### EVO-SD-5-EXP-Cable Model



### EVO-RM-8 Model



深圳市杰晟兴电子有限公司 JM Components Limited

地址：深圳市福田区中航路7号鼎诚国际大厦南座2007室

手机：13662266995 马少良 电话：0755-83951311

官网：cn-sensor.com

邮编：518031

传真：0755-83952401

电邮：jackson@jmcomponents.com