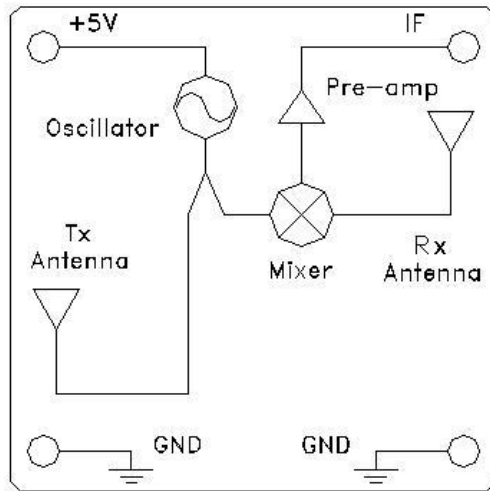


LB200 MICROWAVE SENSOR MODULE

5.8 GHz Microwave Motion Sensor Module



Block diagram and connection

Description

LB200 Microwave Motion Sensor is a C-Band Bi-Static Doppler transceiver module. Its built-in Coaxial Resonator Oscillator (CRO) and a pair of dipole antenna, make it ideal for OEM usage in motion detection equipment.

This module is ideally suitable for occupancy sensor in automatic lighting switches. It can also be used for ceiling mount intruder detectors.

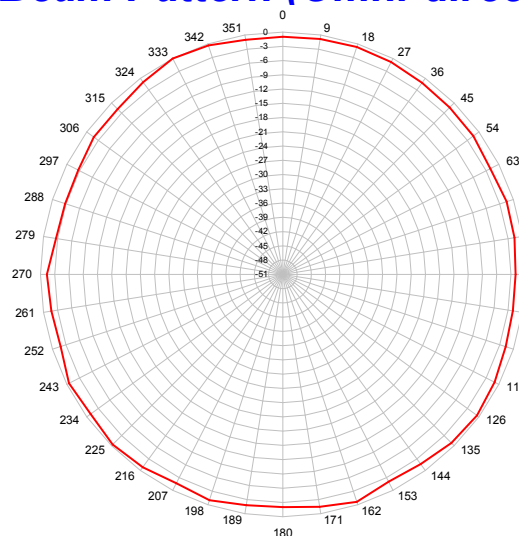
Features

- Low current consumption
- Flat profile
- Low harmonics emission

Applications

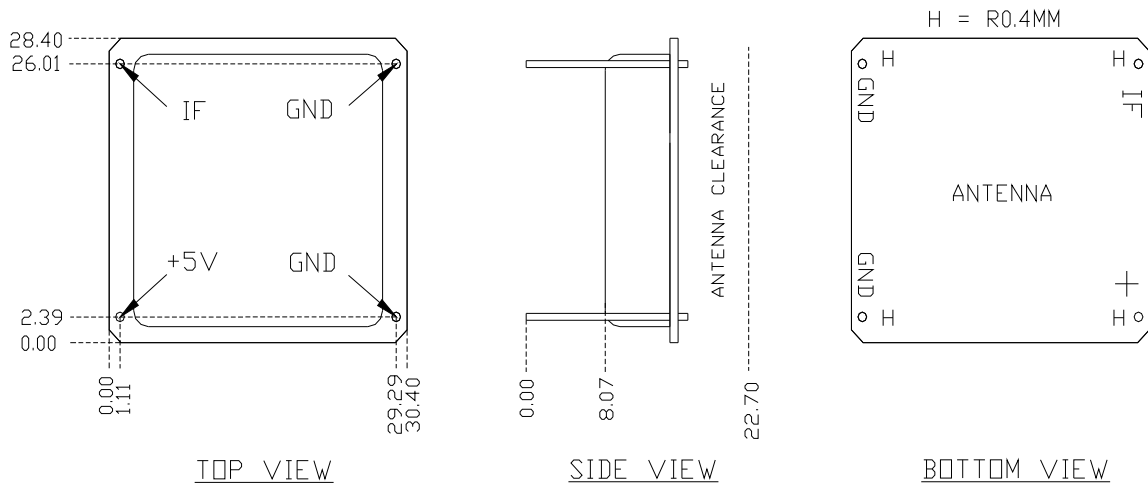
- Microwave-PIR motion detector
- Lighting control
- Ceiling mount intruder detector

Antenna Beam Pattern (Omni-directional)



Technical Specifications

Outline diagram (All dimensions in mm)



Unless noted otherwise, the specifications are measured with +5VDC, CW operation, 12 k Ω load at ambient temperature of +25°C.

Parameter	Notes	Min	Typ	Max	Units
Frequency Setting	1	5.725	5.800	5.875	GHz
Radiated Power (EIRP)	1	5	7	10	dBm
Spurious Emission	1			-30	dBm
Pre-Amplifier Bandwidth(3dB)			4~900		Hz
Pre-Amplifier Loading Impedance			100K		Ω
Noise	2		75(33dB Pre-Amplifier)		μ Vrms
Supply Voltage		4.75	5.00	5.25	VDC
Current Consumption			30	40	mA
Operating Temperature		-40		85	$^{\circ}$ C
Dimension			30 x 28 x 23		mm3
Weight			7		gm

Note 1 : The radiated emissions is designed to meet the requirements of EN 300 440

Note 2 : The noise voltages are measured from 4Hz to 100Hz at the output port, inside an anechoic chamber.

Note 3 : The design, manufacturing process and specifications of this device are subject to change without prior notice.

Note 4 : **CAUTION: ELECTROSTATIC SENSITIVE DEVICE.** Observe precautions for handling and storage.

VER 1.02

深圳市杰晟兴电子有限公司 JM Components Limited

地址：深圳市福田区中航路7号鼎诚国际大厦南座2007室

手机：13662266995 马少良 电话：0755-83951311

官网：cn-sensor.com

邮编：518031

传真：0755-83952401

电邮：jackson@jmcomponents.com